

ECT/ECTG FILTER HOUSING

Single Bag series

**Suitable structure for
viscous streams**



ECT / ECTG single-bag filter housings with top inlet and bottom outlet are the best choice for cost-effective industrial and commercial applications. Cast construction creates a compact, yet heavy-duty design. The cover directly compresses the filter bag seal-ring, eliminating the possibility of bypass. ECTG housings provide lower pressure loss, making it suitable for sanitary, high viscosity and low pollutant content applications.

Applications

- Pulp and Paper
- Food and Beverage
- Metal Working Fluids
- Chemical Processing
- Paints, Inks, Resins and Coatings
- Automotive
- Electronics
- Pharmaceutical
- Petrochemicals

Features and benefits

- Improved efficiency and longer lifetime of filter bags as fluid enters the center of the bag directly, minimizing turbulences.
- Easy to install adjustable mounting legs.

- Cast construction results in a compact, yet heavy-duty design.
- Cover directly compresses the filter bag seal-ring, eliminating the possibility of bypass.
- Hinged cover opens and closes quickly and easily, adapting to different opening directions.
- Easy bag change-out.
- Flange or thread connection.

Filter specifications

No. of Filter Bags

1

Filter Bag Sizes^{1*}

01: Size 01

02: Size 02

Inlet & Outlet

DIN / ANSI / BSP / NPT

Recommended Flow Rates^{1*}

40 m³ / h

Maximum operating temperatures^{2*}

150 °C

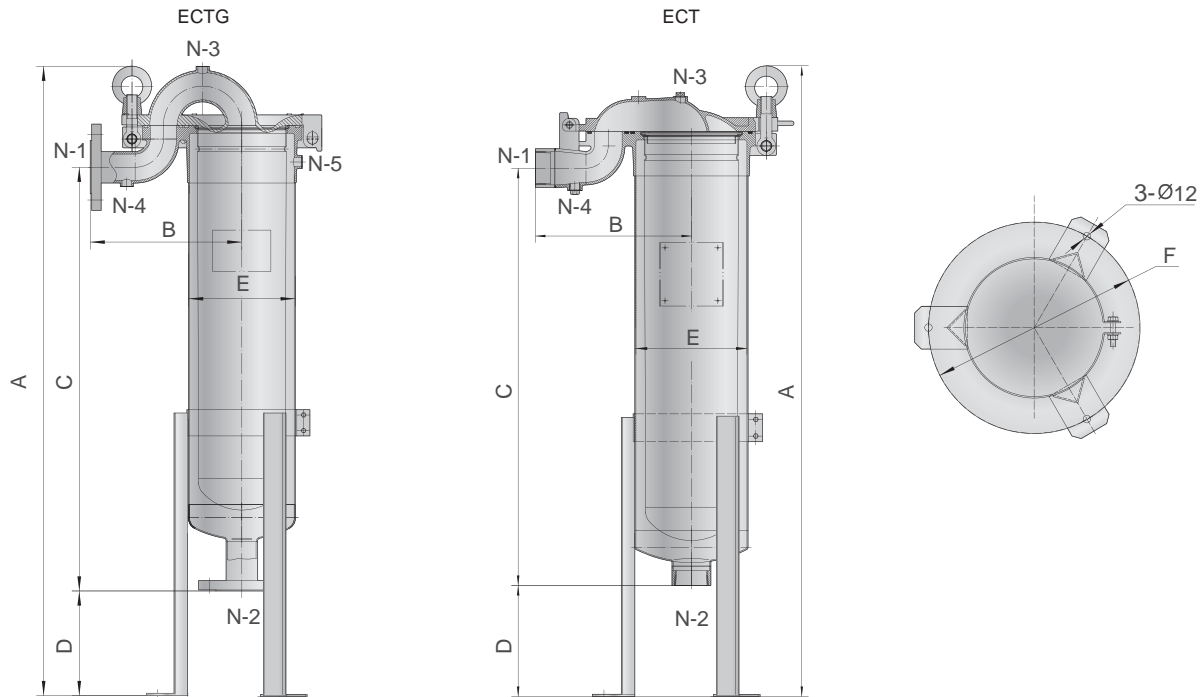
Max. Operating Pressure

10 bar (145 psi)

1 Depending on filter element / fluid viscosity*

2 Applicable temperature is determined based on filter bag and seal material*

■ ECT / ECTG Filter Range



Retention ratings

Dimensions	Size 02	Size 01
A	Flange: 1196mm (47") Thread: 1135mm (45")	Flange: 842mm (33") Thread: 782mm (31")
B	281mm (11")	281mm (11")
C	Flange: 811mm (32") Thread: 751mm (30")	Flange: 450mm (18") Thread: 402mm (16")
D	200mm (8")	200mm (8")
E	200mm (8")	200mm (8")
F	321mm (13")	321mm (13")
Specifications	Size 02	Size 01
Inlet (N1) / Outlet (N2)	Flange: DN50 PN16 (2" 150#) / Thread: BSP2" (NPT2")	Flange: DN50 PN16 (2" 150#) / Thread: BSP2" (NPT2")
Vent Valve (N3)	NPT1/2"(Rc1/2")	NPT1/2"(Rc1/2")
Drain (N4)	NPT1/2"(Rc1/2")	NPT1/2"(Rc1/2")
Vessel Volume	28 L (7 gal)	17 L (4 gal)
Net Weight	33 kg (73 lb)	29 kg (64 lb)

If there are any measurement deviations, refer to technical drawing as the standard

Order information see page 15

Singapore

No. 9, Kaki Bukit Road 1, #02-09, Eunos
Technolink, Singapore 415938
Tel: +65 6376 3610
Fax: +65 6271 8021

Shanghai . China

Part B, 15th Floor, No.1 Middle
FuXing Road, Shanghai, P.R. China
Tel: +86 (21) 5169 5266
Fax: +86 (21) 5169 7139

Wuxi . China

No. 71 Rongtong Road, Xishan Economic
Development Zone, Wuxi, China
Tel :+86 (510) 8820 4512
Fax:+86 (510) 8820 4657