

ECT/ECTG FILTER HOUSING

Single Bag series

*Suitable structure for
viscous streams*



ECT / ECTG single-bag filter housings with top inlet and bottom outlet are the best choice for cost-effective industrial and commercial applications. Cast construction creates a compact, yet heavy-duty design. The cover directly compresses the filter bag seal-ring, eliminating the possibility of bypass. ECTG housings provide lower pressure loss, making it suitable for sanitary, high viscosity and low pollutant content applications.

Applications

- Pulp and Paper
- Food and Beverage
- Metal Working Fluids
- Chemical Processing
- Paints, Inks, Resins and Coatings
- Automotive
- Electronics
- Pharmaceutical
- Petrochemicals

Features and benefits

- Improved efficiency and longer lifetime of filter bags as fluid enters the center of the bag directly, minimizing turbulences.
- Easy to install adjustable mounting legs.

- Cast construction results in a compact, yet heavy-duty design.
- Cover directly compresses the filter bag seal-ring, eliminating the possibility of bypass.
- Hinged cover opens and closes quickly and easily, adapting to different opening directions.
- Easy bag change-out.
- Flange or thread connection.

Filter specifications

No. of Filter Bags

1

Filter Bag Sizes^{1*}

01: Size 01

02: Size 02

Inlet & Outlet

DIN / ANSI / BSP / NPT

Recommended Flow Rates^{1*}

40 m³ / h

Maximum operating temperatures^{2*}

150 °C

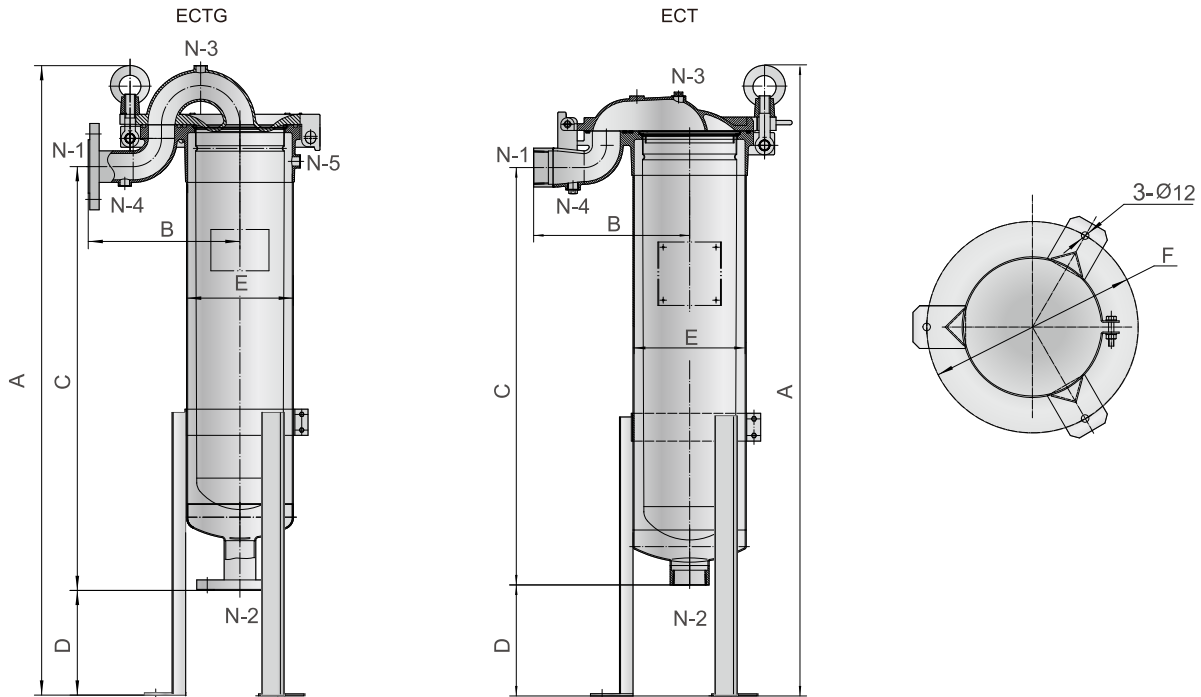
Max. Operating Pressure

10 bar (145 psi)

1 Depending on filter element / fluid viscosity*

2 Applicable temperature is determined based on filter bag and seal material*

■ ECT / ECTG Filter Range



Retention ratings

Dimensions	Size 02	Size 01
A	Flange: 1196mm (47") Thread: 1135mm (45")	Flange: 842mm (33") Thread: 782mm (31")
B	281mm (11")	281mm (11")
C	Flange: 811mm (32") Thread: 751mm (30")	Flange: 450mm (18") Thread: 402mm (16")
D	200mm (8")	200mm (8")
E	200mm (8")	200mm (8")
F	321mm (13")	321mm (13")
Specifications	Size 02	Size 01
Inlet (N1) / Outlet (N2)	Flange: DN50 PN16 (2" 150#) / Thread: BSP2" (NPT2")	Flange: DN50 PN16 (2" 150#) / Thread: BSP2" (NPT2")
Vent Valve (N3)	NPT1/2"(Rc1/2")	NPT1/2"(Rc1/2")
Drain (N4)	NPT1/2"(Rc1/2")	NPT1/2"(Rc1/2")
Vessel Volume	28 L (7 gal)	17 L (4 gal)
Net Weight	33 kg (73 lb)	29 kg (64 lb)

If there are any measurement deviations, refer to technical drawing as the standard

Order information see page 15



Feature-Tec (Shanghai) Advanced Materials Co.,Ltd.
 8th Floor, Building 3A, No. 299 Longcao Road,
 Xuhui District, Shanghai
 Tel:+86 (21) 3363 2515 Fax:+86 (21) 6385 0337