

BVM FILTER HOUSING

Multi Bag series

*Optimized structure design
improves operating
performance*



Self-balancing hinge

Feature -Tec's BVM multi-bag filter housings features side inlet and bottom outlet, providing easy and complete drainage. The convenient tangential bottom outlet reduces housing height, making bag change-out easy and safe. A standard eye-bolt closure is equipped with Feature-Tec's self-balancing head lifting system for quick access to the interior. Inside, Feature-Tec's unique 3-point bag seal clamp assures bypass-free performance under any conditions.

Applications

- Automotive Coatings
- Copper Foil
- Food and Beverage
- Pulp and Paper
- Paints, Inks, Resins and Coatings
- Electronics
- Silicone Industry

Features and benefits

- Side inlet and bottom outlet for easy and complete drainage.
- Tangential bottom outlet and spring-balance head lifting system making bag change-out easy and safe.

- Self-balancing locking mechanism for fast and easy operation. Exclusive 3-point bag seal clamp
- assures bypass-free performance under any conditions.
- Easy to operate, economical and practical.

Filter specifications

No. of Filter Bags

3 / 4 / 6 / 8 / 12 / 17 / 23

Filter Bag Sizes^{1*}

01: Size 01

02: Size 02

Inlet & Outlet

DIN / ANSI

Recommended Flow Rates^{2*}

920 m³ / h

Maximum operating temperatures^{3*}

150 °C

Max. Operating Pressure

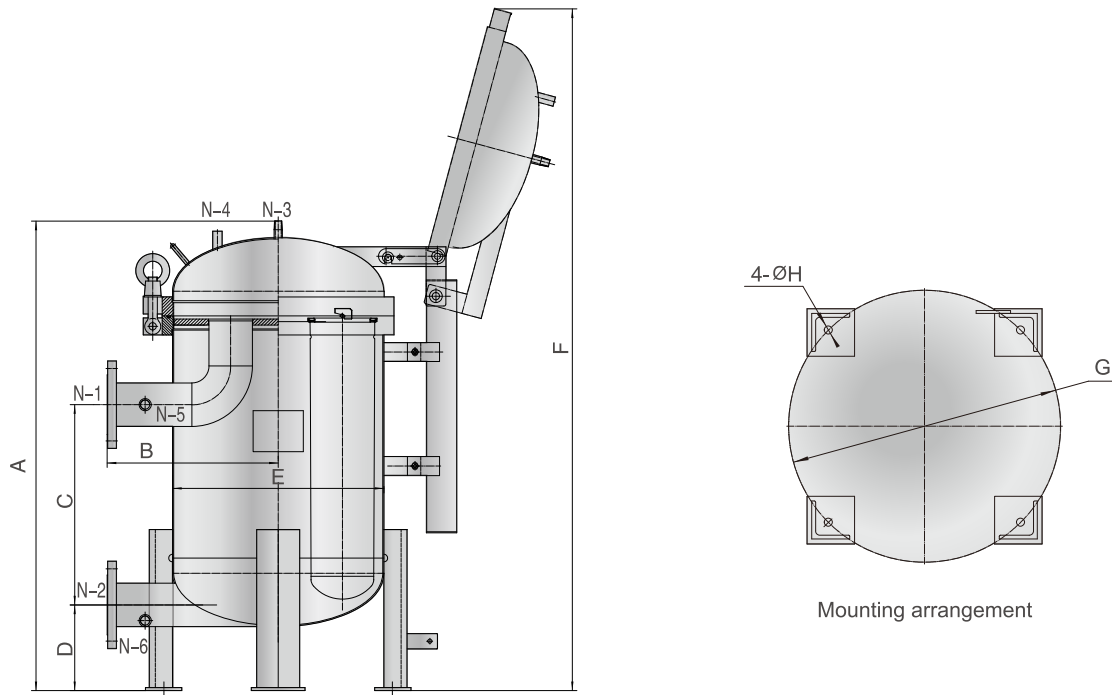
10 bar (145 psi)

1 Size 01 only for No. 3 / 4 bag filter*

2 Depending on filter element / fluid viscosity*

3 Applicable temperature is determined based on filter bag and seal material*

■ BVM Filter Range



Retention ratings

Dimensions	3 bags	4 bags	6 bags	8 bags	12 bags	17 bags	23 bags
A	1244mm (49")	1252mm (49")	1335mm (53")	1315mm (52")	1458mm (58")	1467mm (58")	1553mm (62")
B	400mm (16")	450mm (18")	520mm (20")	600mm (24")	680mm (27")	750mm (30")	820mm (33")
C	520mm (20")	527mm (21")	450mm (18")	528mm (21")	528mm (21")	450mm (18")	535mm (21")
D	250mm (10")	225mm (9")	300mm (12")	200mm (8")	220mm (9")	250mm (10")	250mm (10")
E	500mm (20")	550mm (22")	600mm (24")	750mm (30")	950mm (37")	1050mm (42")	1200mm (48")
F	1750mm (69")	1720mm (67")	1928mm (76")	2035mm (80")	2316mm (91")	2479mm (97")	2692mm (106")
G	475mm (19")	525mm (21")	580mm (23")	735mm (29")	930mm (37")	1040mm (41")	1195mm (47")
H	Ø18	Ø18	Ø18	Ø18	Ø24	Ø24	Ø24
Specifications	3 bags	4 bags	6 bags	8 bags	12 bags	17 bags	23 bags
Inlet (N1) / Outlet (N2)	DN80 PN16 (3" 150#)	DN100 PN16 (4" 150#)	DN150 PN16 (6" 150#)	DN150 PN16 (6" 150#)	DN200 PN16 (8" 150#)	DN250 PN16 (10" 150#)	DN250 PN16 (10" 150#)
Vent Valve (N3)	NPT1/2"(Rc1/2")	NPT1/2"(Rc1/2")	NPT1/2"(Rc1/2")	NPT1/2"(Rc1/2")	NPT1/2"(Rc1/2")	NPT1/2"(Rc1/2")	NPT1/2"(Rc1/2")
Pressure Gauge (N4)	NPT1/2"(Rc1/2")	NPT1/2"(Rc1/2")	NPT1/2"(Rc1/2")	NPT1/2"(Rc1/2")	NPT1/2"(Rc1/2")	NPT1/2"(Rc1/2")	NPT1/2"(Rc1/2")
Drain (N5/N6)	NPT1 1/4" (Rc1 1/4")	NPT1 1/4" (Rc1 1/4")	NPT1 1/4" (Rc1 1/4")	NPT1 1/4" (Rc1 1/4")	NPT1 1/4" (Rc1 1/4")	NPT1 1/4" (Rc1 1/4")	NPT1 1/4" (Rc1 1/4")
Vessel Volume	180 L (48 gal)	225 L (59 gal)	274 L (72 gal)	450 L (119 gal)	750 L (198 gal)	995 L (263 gl)	1336 L (353 gal)
Net Weight	155 kg (342 lb)	210 kg (463 lb)	255 kg (562 lb)	315 kg (694 lb)	620 kg (1367 lb)	880 kg (1940 lb)	1000 kg (2205 lb)

Order information see page 15



Feature-Tec (Shanghai) Advanced Materials Co.,Ltd.
 8th Floor, Building 3A, No. 299 Longcao Road,
 Xuhui District, Shanghai
 Tel:+86 (21) 3363 2515 Fax:+86 (21) 6385 0337